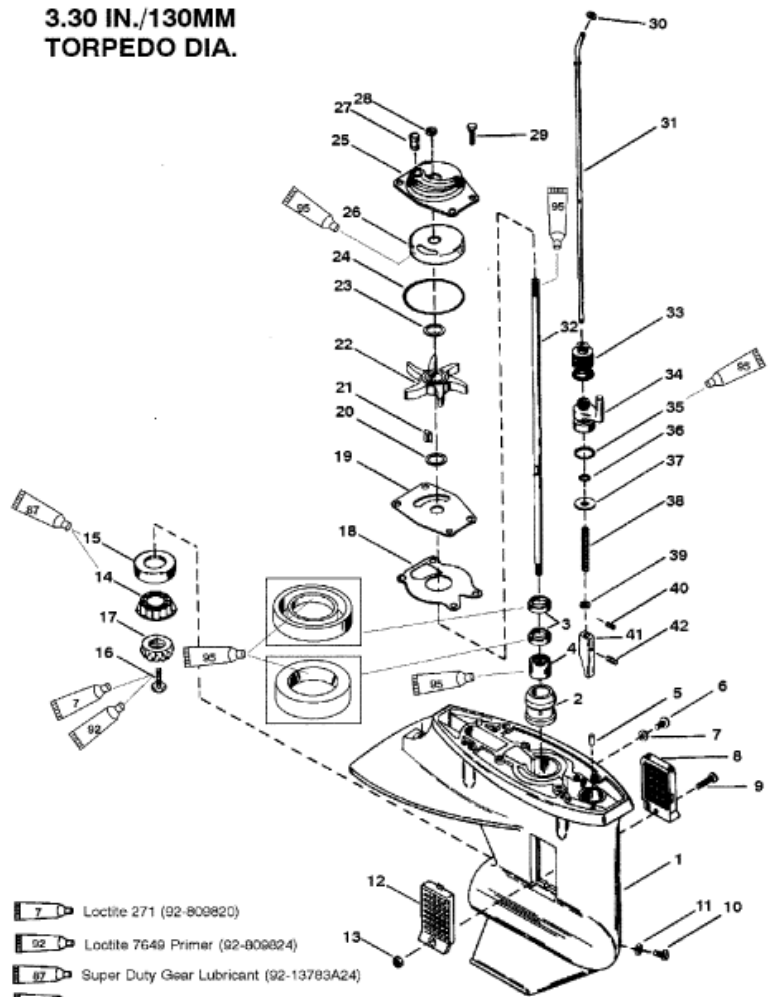


**3.30 IN./130MM
 TORPEDO DIA.**



- Loctite 271 (92-809820)
- Loctite 7649 Primer (92-809824)
- Super Duty Gear Lubricant (92-13793A24)
- 2-4-C With Teflon (92-825407A12)

21851

Parts List						
Ref	Class	Part	Description	Qty	Comment	Footnote
-	1665	8669A26	GEAR HOUSING	1	(SHORT - BLACK)	
-	1665	8669A28	GEAR HOUSING	1	(LONG - BLACK)	
-	1665	8669A27	GEAR HOUSING	1	(SHORT - GRAY)	
-	1665	8669A29	GEAR HOUSING	1	(LONG - GRAY)	
-	1665	8669A30	GEAR HOUSING	1	(TRACKER GRAPHITE GRAY)	
1	1665	8669A21	GEAR HOUSING ASSEMBLY, B.	1	(BLACK)	
1	1665	8669A22	GEAR HOUSING ASSEMBLY	1	(GRAY)	
1	1665	8669A25	GEAR HOUSING ASSEMBLY	1	(TRACKER GRAPHITE GRAY)	
2		NSS	NOT SOLD SEPARATE, Sleeve	1		
3	26	99325	SEAL	2		6
4	31	41326	ROLLER BEARING	1		
5	17	85500	PIN, Dowel (.187 x .530)	2		
6	10	79953A 2	SCREW KIT, (.375-16 x .250)	1		
7	12	19183	WASHER, Fiber	1		
8	35	41133	SCREEN, Water Inlet Port	1		
9	10	40031112	SCREW, (M5 x 40)	1		
10	22	67892A 1	FITTING KIT, Plug Fill/Drain	1		
11	12	19183	WASHER, Fiber	1		
12	35	41134	SCREEN	1		
13	11	40026 3	NUT, (M5 x 0.8)	1		
14	31	98294A 1	ROLLER BEARING ASSEMBLY	1		
15		NSS	NOT SOLD SEPARATE, Cup	1		
16	10	49908	SCREW, (.250-28 x .750)	1		
17	43	98302	PINION GEAR (12 TEETH)	1		
18	27	99326 1	GASKET	1		7,5,6
19		85083	FACE PLATE	1		
20	12	86645 1	WASHER	1		5,6
21	28	85119	KEY	1		5
22	47	85089 3	IMPELLER	1		5
23	12	86645 1	WASHER	1		5,6
24	25	69202	O-RING	1		7,5,6
25	46	99157A 1	WATER PUMP ASSEMBLY	1		5
26		NSS	NOT SOLD SEPARATE, Insert	1		5
27	26	85090	SEAL	1		7,5,6
28	25	86203	RING, RUBBER	1		7,5,6
29	10	824832 4	SCREW, (M6 x 16)	4		
30	12	29245	WASHER, (.281 x .500 x .060)	1		
31		85126 3	SHIFT SHAFT	1	(SHORT SHAFT)	
31		86293 3	SHIFT SHAFT	1	(LONG SHAFT)	
32	45	99199	DRIVESHAFT	1	(SHORT SHAFT)	
32	45	99199	DRIVESHAFT	1	(LONG SHAFT)	